



INCRA CleanSweep Downdraft Dust Collection Cabinet Owner's Manual



SAFETY:

Important safety instructions for using the **INCRA CleanSweep**

- Before using the INCRA CleanSweep, read and follow all instructions and safety information in this manual.
- Before using the INCRA CleanSweep in conjunction with any other tool, first read and follow all instructions and safety information in that tool's owner's manual.
- When making any cut, always use a push stick, rubber soled push block, or other safety device to keep your hands safely away from the cutting tool.
- Always wear safety glasses, hearing protection and follow all normal shop safety practices.
- **AVOID OVERHEATING YOUR ROUTER BY PROVIDING ADEQUATE VENTILATION.** Make sure your dust collection system is turned on, working properly, and connected to the CleanSweep Cabinet with the blast gate fully open whenever your router is operated inside. If you operate your router inside the CleanSweep Cabinet with your dust collector turned off or not working properly, you **MUST** first follow the 3 steps below.
 - 1) *Open the CleanSweep door*
 - 2) *Open the Blast Gate slide*
 - 3) *Remove the dust collection hose*

ASSEMBLE AND ATTACH CLEANSWEEP TO ROUTER TABLE

1. Screw the two halves of the CleanSweep together using 12 each of the 10-32 x 5/8" Phillips machine screws with lock washers and hex nuts from Hdwr. Pack E-08 as shown in **Fig. 1**.
2. Insert the Blast Gate Slide through the slotted hole at the end of the CleanSweep assembly and attach the plastic stop gasket using 2 each of the 10-32 x 5/8" Phillips machine screws with thin washers, lock washers and hex nuts as shown in **Fig. 2**.

Fig. 1 Assemble Two Halves

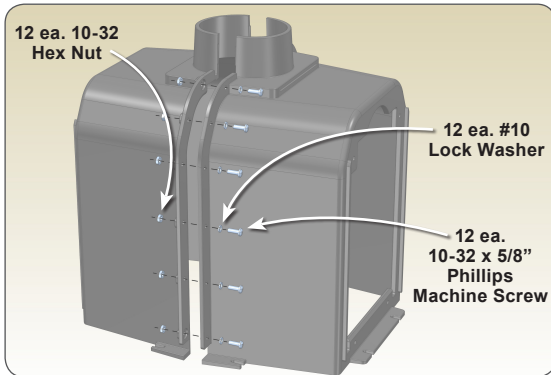
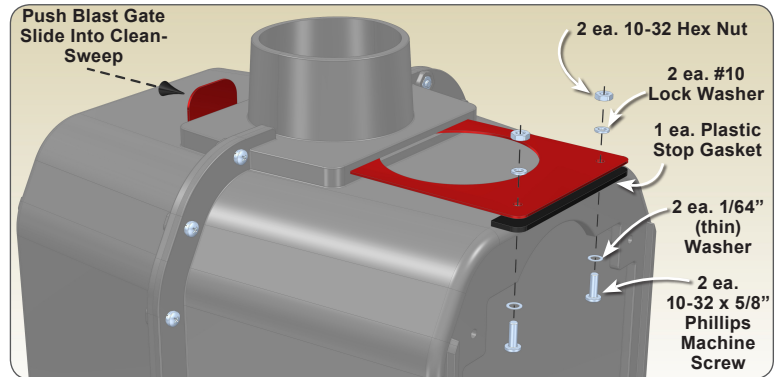


Fig. 2 Install Blast Gate Slide



3. Remove any existing router plate or router lift and router from your router table then turn the table upside down for ease of assembly. Position the downdraft on the underside of the table centered on the table opening. The Blast Gate Slide pull tabs should be oriented facing the infeed side of the table. Using the CleanSweep as a template, mark the (8) mounting hole positions with a pencil then follow the instructions below that match your table type, either **Laminate covered MDF or Solid Phenolic, using fasteners from Hdwr. Pack E-09**.

Note: If your router table includes corner mounted levelers such as those shown in **Fig. 4**, installation will require the CleanSweep Adaptor (sold separately). The adaptor permits use of the corner levelers or the 10 included perimeter levelers.

Laminate covered MDF Tables Drill 1/8" diameter starter holes to a depth of ONLY about 1/8". If two of the starter holes are over the table's miter channel, mount the CleanSweep using the shorter (2) #10 x 5/8" wood screws with #10 flat washers in those two holes and the longer (6) #10 x 3/4" wood screws with washers in the remaining mounting holes, **Fig. 3**.

If there are no starter holes over the miter channel, use the 3/4" long wood screws in all (8) of the holes.

Solid Phenolic Tables If two of the mounting holes are over the table's miter channel, drill those mounting holes with an 11/64" diameter drill bit to a depth of 7/16". Drill the remaining (6) mounting holes to a depth of 9/16". Mount the CleanSweep using the shorter (2) #10-32 x 5/8" self-tapping screws with #10 flat washers over the area of the miter channel and the longer (6) #10-32 x 3/4" self-tapping screws with washers in the remaining mounting holes, **Fig. 3**. If there are no starter holes over the miter channel, all mounting holes can be drilled to a depth of 9/16" and the longer #10-32 x 3/4" self-tapping screws can be used in all (8) of the holes.

Fig. 3 Screw CleanSweep to Underside of Router Table

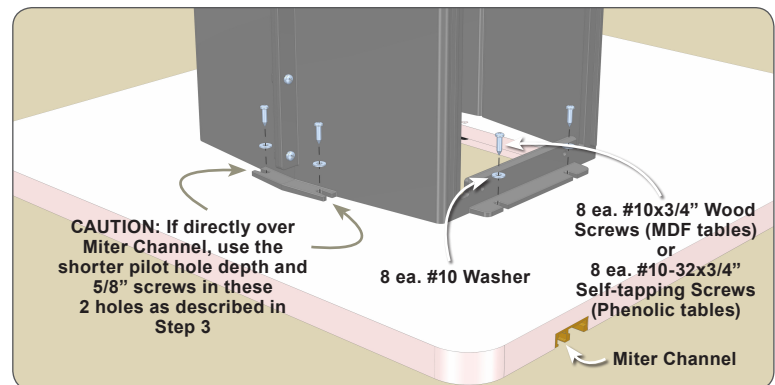
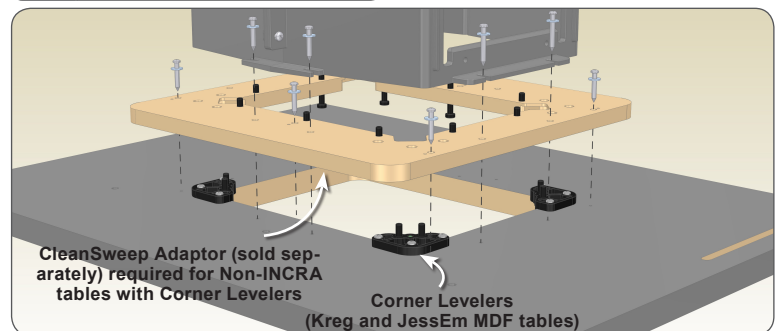


Fig. 4 CleanSweep Adaptor



ASSEMBLE AND ATTACH FRONT DOOR

(Turn the router table right side up for final assembly)

4. Using fasteners from Hdwr. Pack E-10, add the lower door catch, consisting of (1) 1/4-20 x 1/2" Phillips machine screw, (2) 3/16" thick nylon washers and (1) 1/4-20 cylindrical nut, into the hole located at the tapered end of the door panel as shown in **Fig. 5**. Attach a 10-32 cylindrical nut to the upper left hole using a 10-32 x 5/8" Phillips machine screw with lock washer. Tighten all the fasteners. Attach the knob to the centered hole near the top of the door using a 10-32 x 5/8" Phillips machine screw and lock washer. The door knob features a vibration proof nylon locking nut so the fastener will feel tight all the way in.

Fig. 5 Assemble Door

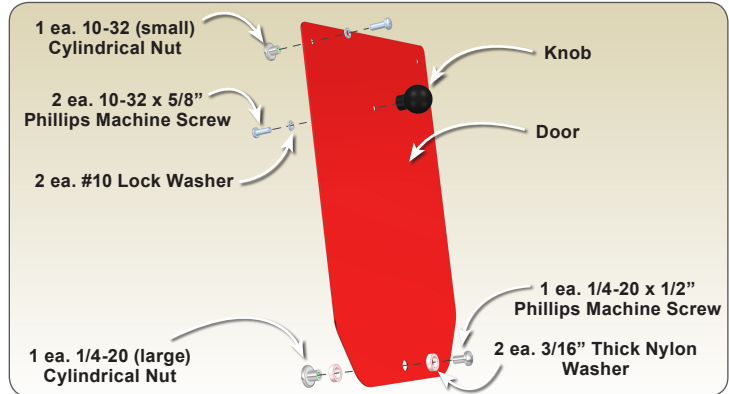
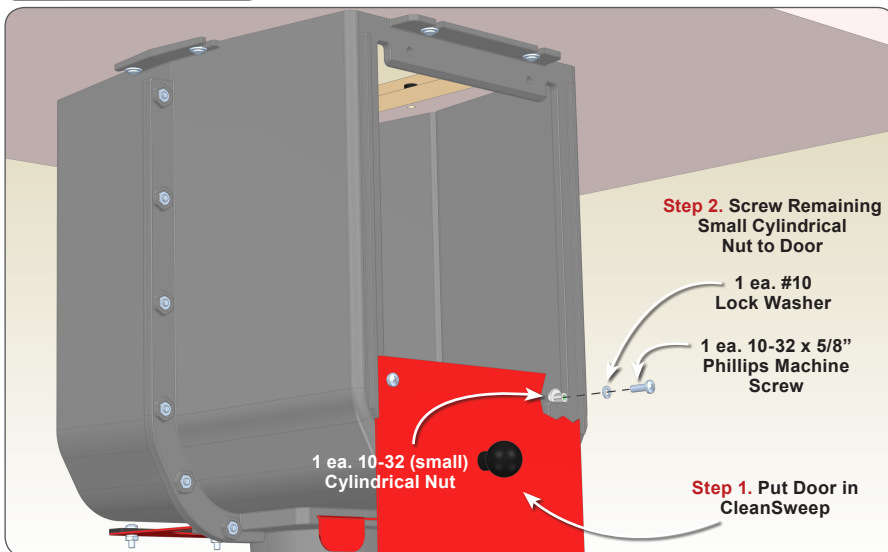


Fig. 6 Install Door



5. Position the front door in the opening on the operator side of the CleanSweep so that the upper cylindrical nut is just behind the lip of the door opening. Reach in from the opening to hold and attach the remaining 10-32 cylindrical nut using a 10-32 x 5/8" Phillips machine screw and lock washer as shown in **Fig. 6**. Tighten the fastener.

OPENING AND CLOSING THE CLEANSWEEP FRONT DOOR

IMPORTANT:

Always power off your dust collector before opening the CleanSweep's front door.

To open the CleanSweep's sliding door, raise the door up as you pull the knob outward, then allow the door to slowly lower to the fully open position.

To close the CleanSweep's door, simply raise the door up to the top position as you push the knob gently inward. When you release the door, the lower door catch will hang on the CleanSweep Cabinet.

ATTACH BACK PLATE



If you plan to also use your router table router as a hand held router from time to time, you might want to insert a short extension cord into the strain relief bushing with the female plug just inside the CleanSweep Cabinet. This will allow you to unplug and remove your router without also having to remove the back plate.

6. Bring your router or router lift assembly to the table and set it adjacent to the opening in your table top. Lower the electrical cord through the top of the table and out the back of the CleanSweep cabinet. Slide the cord into the cutout in the back plate as shown in **Fig. 7** then attach the back plate to the CleanSweep using the (4) #10-32 x 5/8" Phillips machine screws with lock washers and hex nuts as shown. The included #10-32 x 5/8" hex head fasteners can be substituted for the uppermost Phillips screws if your router table stand aprons prevent access. Tighten all fasteners.

Fig. 7 Install Back Plate

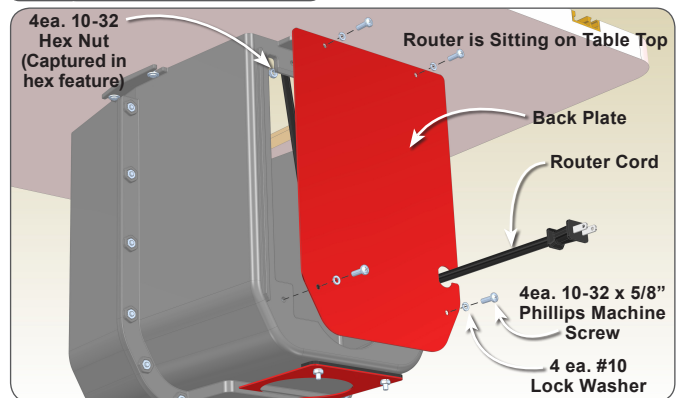
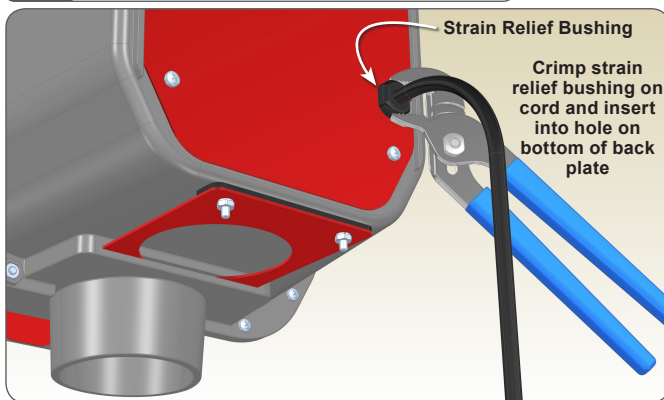
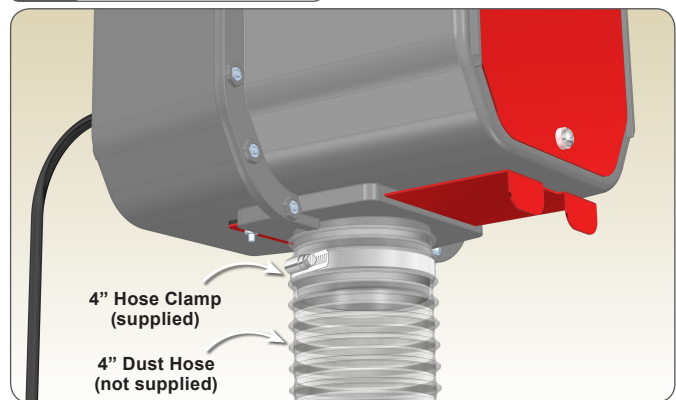


Fig. 8 Install Cord Strain Relief Bushing



7. Add the strain relief bushing to the cord about 2' from the router motor. Use a pair of pliers to squeeze the 2 halves of the strain relief bushing together on the cord and hold as you insert the cord and bushing into the cutout on the back plate, **Fig. 8**.

Fig. 9 Install Dust Hose



8. Use the included 4" hose clamp to attach your 4" hose to the bottom of the CleanSweep, **Fig. 9**.

Manufactured by:
Taylor Design Group, Inc.
P.O. Box 810262 Dallas, TX 75381
www.incra.com
P: 972-242-9975/F: 972-242-9985

INCRA is a Registered Trademark of Taylor Design Group, Inc.



ONLINE WARRANTY REGISTRATION

Scan this QR code to register your product online ▶

You can also register your INCRA product online at www.incra.com

It's quick and easy!

